



1000M Lan Magnetics

You can buy factory price 1000M Lan Magnetics from a JASN China Lan Magnetics manufacturer. The PN G48C03SQ can meet industry temp requirement.

Model:G48C03SQ

JASN as the professional manufacturer, we would like to provide you high quality 1000M Lan Magnetics. And we will offer you the best after-sale service and timely delivery.

Feature

Compliant with IEEE 802.3ab&802.3at standard.

Suitable for End-span PoE applications with 750mA current capability.

Comply with RoHS requirements.

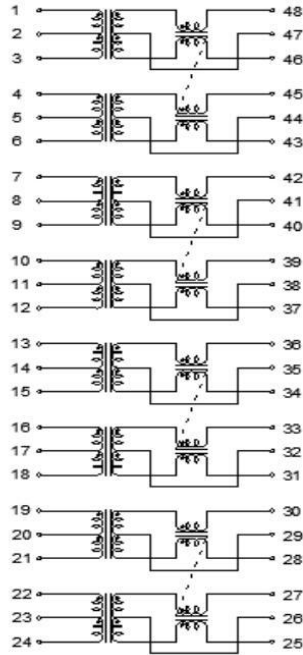
Operating temperature range: -40°C to +85°C.

Storage temperature range: -40°C to +125°C

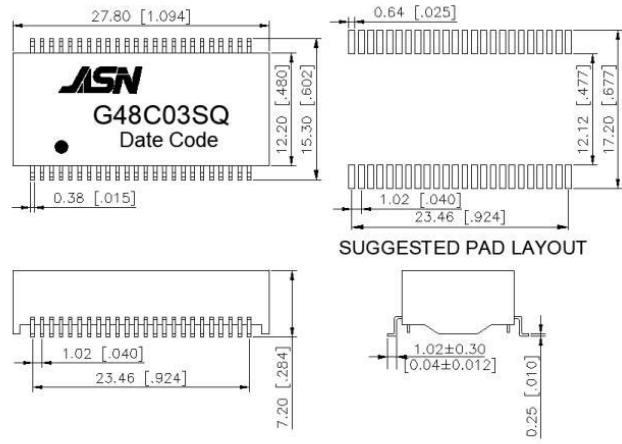
Electrical Specifications @ 25°C

OCL:	350uH Min. @100KHz/0.1V with 8mA DC Bias				
Hi-POT :	1500Vrms				
Turn Ratio:	1:1±3%				
LK:	0.5uH Max @100KHz/0.2V				
Cw/w	35pF Max @100KHz/0.2V				
D.C.R:	1.2 ohm Max				
Insertion Loss:	1-100MHz: -1.0dB Max				
Cross Talk :	100MHz: -30dB Min				
Return Loss:	1-30MHz	40MHz	50MHz	60-80MHZ	80-100MHZ
	-18dB Min	-14.4dB Min	-13.1dB Min	-12dB Min	-10dB Min

Schematic



Mechanical



1. Unit: mm[inch]
2. Unless otherwise specified, all tolerances are ±0.25[.01]