

GIGABIT Transformer

You can rest assured to buy GIGABIT Transformer from Jansum Electronics factory and we will offer you the best after-sale service and timely delivery. PN G24T01D is 10/100/1000 BASE-T single port magnetics module.

Model:G24T01D

JASN is one of the famous China GIGABIT Transformer manufacturers and GIGABIT Transformer suppliers. Our factory specializes in manufacturing of GIGABIT Transformer.

Feature

Compliant with IEEE 802.3ab standard.

Comply with RoHS requirements.

Suitable for End-span PoE applications with 350mA current capability

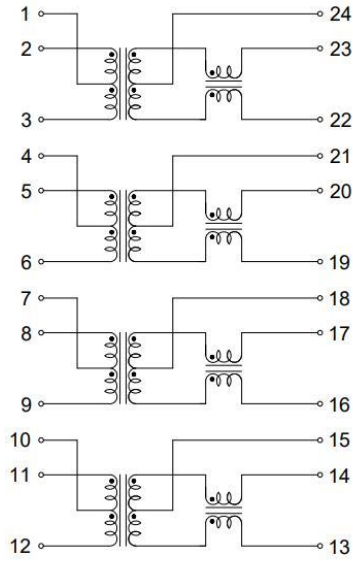
Operating temperature range: 0°C to +70°C.

Storage temperature range: -25°C to +105°C.

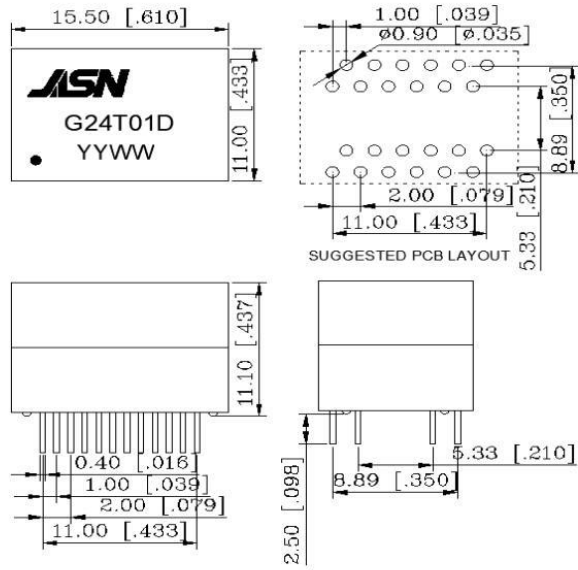
Electrical Specifications @ 25°C

OCL:	350uH Min. @100KHz/0.1V with 8mA DC Bias				
Hi-POT :	1500Vrms				
Turn Ratio:	1:1±3%				
LK:	0.5uH Max @100KHz/0.2V				
Cw/w	35PF Max @100KHz/0.2V				
D.C.R:	1.2 ohm Max				
Insertion Loss:	1-100MHz: -1.0dB Max				
Cross Talk :	1-100MHz: -30dB Min				
Return Loss:	1-30MHz	40MHz	50MHz	60-80MHZ	80-100MHZ
	-18dB Min	-14.4dB Min	-13.1dB Min	-12dB Min	-10dB Min

Schematic



Mechanical



Unless otherwise specified, all tolerances are ± 0.25